



OPERATOR'S MANUAL

A Division of Snow Joe®, LLC

CORDLESS LAWN MOWER

24-VOLT MAX* | 5.0 Ah | 14-INCH

Model MJ24C-14-XR-RM

Form No. SJ-MJ24C-14-XR-RM-880E-MR5-V2

THANKS FOR YOUR PURCHASE OF A REMANUFACTURED PRODUCT.

To make sure you get the most out of your product, be sure to register online at

sunjoe.com

to enjoy full product support.

PASTE UPC LABEL HERE



OPERATOR'S MANUAL

A Division of Snow Joe®, LLC

CORDLESS LAWN MOWER

24-VOLT MAX* | 5.0 Ah | 14-INCH

Model MJ24C-14-XR-RM

Form No. SJ-MJ24C-14-XR-RM-880E-MR5-V2

IMPORTANT! Safety Instructions

All Operators Must Read These Instructions Before Use

Always follow these safety guidelines. Failure to do so may result in serious bodily injury or death.

General Safety WARNINGS!

When using this cordless lawn mower, basic safety precautions should always be followed to reduce the risk of fire, electric shock and personal injury. These precautions include:

⚠️ WARNING! Do not operate without the entire grass catcher, discharge guard, rear guard or other safety protective devices in place and in proper working order.

⚠️ WARNING! The use of any other accessory or attachment might increase the risk of injury.

⚠️ WARNING! To reduce the risk of injury, inspect the catcher assembly frequently and replace with recommended replacement if there are signs of wear or deterioration.

Before using the mower, take the time to familiarize yourself with the controls, especially how to stop the mower in an emergency. The only individuals who should use the mower are those who have a thorough understanding of the instructions and who know how to operate the machine. Children should never be allowed access to the mower.

Retain this manual for future reference and reread it at the start of each mowing season.

⚠️ WARNING! Contact with moving parts may cause entanglement, dismemberment or other serious bodily injury. Always keep body parts (i.e. hands, feet) a safe distance away from moving parts. Ensure all covers and guards are securely in place before use.

Hot surfaces (i.e. the motor) may ignite flammable or combustible items and cause a fire or explosion, which can result in serious bodily injury. Keep the mower a safe distance away from flammable or combustible items until surfaces that are hot have completely cooled. Do not store the mower near flammable or combustible items.

A damaged blade or worn blade nut may break off the mower assembly and cause serious injury. Replace the damaged blade or blade nut before using the mower.

- 1. Avoid dangerous conditions** – Do not use the mower in the rain or when the grass is damp or wet.
- 2. Keep children, bystanders and pets away** – Always keep children and spectators a safe distance away from the mower during operation and as the machine cools.
- 3. Dress properly** – Always wear personal safety gear (i.e. glasses, rubber gloves, protective footwear and dust masks) and proper clothing when using the mower. Loose clothing, long hair or jewelry may get caught in the moving parts.
- 4. Use the right appliance** – Do not use the lawn mower for any applications other than those for which it was intended.
- 5. Do not force the lawn mower** – It will perform better with less likelihood of personal or mechanical injury if it is used at the rate for which it was designed.
- 6. Do not overreach** – Keep proper footing and balance at all times.
- 7. Stay alert** – Always be alert and watch what you are doing. Use common sense. Do not operate the lawn mower when you are tired or under the influence of alcohol or drugs.
- 8. Disconnect the lawn mower** – Turn OFF and remove safety key when the mower is not in use, before servicing it, when changing accessories and when performing any other maintenance task.
- 9. Store idle lawn mower indoors** – When not in use, the lawn mower should be stored indoors in a dry, locked place out of the reach of children.
- 10. Maintain the lawn mower with care** – Keep cutting edges sharp and clean for best and safest performance.
- 11. Use personal protective equipment. Always wear eye protection** – Protective equipment such as safety glasses, a dusk mask, non-skid safety shoes, a hard hat, and hearing protection, when used for appropriate conditions, will reduce the possibility of personal injuries.
- 12. Avoid unintentional starting** – Ensure the switch is in the OFF position before insert the safety key, or before picking up or carrying the tool. Carrying power tools with your finger on the switch or charging power tools with the switch ON can lead to accidents.
- 13. Remove any adjusting key or wrench before starting the power tool** – A wrench or a key left attached to a rotating part of the power tool may result in personal injury.

14. **Keep cutting blades sharp and clean –**
Properly maintained cutting blades with sharp edges are less likely to bind and are easier to control.
15. **Keep all parts of the body away from the cutting blade**
– Do not remove cut material or hold material to be cut when blades are moving. Make sure the switch is off when clearing jammed material. A moment of inattention while operating the product may result in serious personal injury.
16. If the lawn mower strikes a foreign object, follow these steps:
 - i) Stop the lawn mower by releasing the start/stop switch bar lever.
 - ii) Remove the safety key.
 - iii) Inspect for damage.
 - iv) Repair any damage before restarting and operating the lawn mower.
17. Only use identical replacement blades and other genuine parts.
18. Keep guards in place and in proper working order.

Electrical Safety

1. If the battery charger cable is damaged, please call the Snow Joe® + Sun Joe® customer service center at 1-866-SNOWJOE (1-866-766-9563).
2. If charging the power tool in a damp location is unavoidable, use a residual current device (RCD) protected power supply. The using of an RCD reduces the risk of electric shock.
3. Avoid body contact with earthed or grounded surfaces such as pipes, radiators, ranges and refrigerators. There is an increased risk of electric shock if your body is earthed or grounded.
4. **Do not expose power tools to rain or wet conditions.**
Water entering a power tool will increase the risk of electric shock.
5. **Do not abuse the charging cord.** Never use the cord for carrying, pulling or unplugging the charger. Keep cord away from heat, oil, sharp edges or moving parts. Damaged or entangled cords increase the risk of electric shock.
6. Battery charger is for indoor use only. Do not charge lawn mower in rain, or in wet locations.

Battery & Charger Safety Instructions

We pay a great deal of attention to the design of every battery pack to ensure that we supply you with batteries that are safe, durable and have a high energy density. The battery cells have a wide range of safety devices. Each individual cell is initially formatted and its electrical characteristic curves are recorded. This data is then used exclusively to be able to assemble the best possible battery packs.

Despite all the safety precautions, caution must always be exercised when handling batteries. The following points must be obeyed at all times to ensure safe use. Safe use can only be guaranteed if undamaged cells are used. Incorrect handling of the battery pack can cause cell damage.

IMPORTANT! Analyses confirm that incorrect use and poor care of high-performance batteries are the main factors responsible for personal and/or product damage.

⚠️ WARNING! Use only approved replacement batteries; other batteries may damage the power tool and cause it to malfunction, which can lead to serious personal injury.

⚠️ WARNING! Do not use a battery pack or appliance that is damaged or modified. Damaged or modified batteries may exhibit unpredictable behavior resulting in fire, explosion or risk of injury.

Do not modify or attempt to repair the appliance or the battery pack except as indicated in the instructions for use and care.

Have your battery pack serviced by a qualified repair person using only identical replacement parts. This will ensure that the safety of the battery pack is maintained.

⚠️ CAUTION! To reduce the risk of injury, charge the 24V iON+ lithium-iON battery pack only in its designated 24V iON+ lithium-iON charger. Other types of chargers present risk of fire, personal injury and damage. Do not wire a battery pack to a power supply plug or car cigarette lighter. Such misuse will permanently disable or damage the battery pack.

- **Avoid dangerous environments –** Do not charge the battery pack in rain, snow or in damp or wet locations. Do not use the battery pack or charger in the presence of explosive atmospheres (gaseous fumes, dust or flammable materials) because sparks may be generated when inserting or removing the battery pack, which could lead to a fire.

- **Charge in a well-ventilated area –** Do not block the charger vents. Keep them clear to allow for proper ventilation. Do not allow smoking or open flames near a charging battery pack. Vented gases may explode.

NOTE: The safe temperature range for the battery is 41°F (5°C) to 105°F (40.5°C). Do not charge the battery outside in freezing weather; charge it at room temperature.

- **Maintain charger cord –** When unplugging the charger, pull the plug, not the cord, from the receptacle to reduce the risk of damage to the electrical plug and cord. Never carry the charger by its cord or yank it by the cord to disconnect it from the receptacle. Keep the cord away from heat, oil and sharp edges. Make sure the cord will not be stepped on, tripped over or subjected to damage or stress when the charger is in use. Do not use the charger with a damaged cord or plug. Replace a damaged charger immediately.

- **Do not use an extension cord unless it is absolutely necessary –** Using the wrong, damaged or improperly wired extension cord poses a risk of fire and electric shock. If an extension cord must be used, plug the charger into a properly wired 16 gauge or larger extension cord with the female plug matching the male plug on the charger. Make sure that the extension cord is in good electrical condition.

- **Use only recommended attachments** – Use of an attachment not recommended or sold by the battery charger or battery pack manufacturer may result in risk of fire, electric shock or personal injury.
- **Unplug charger when not in use** – Make sure to remove battery packs from unplugged chargers.

⚠ WARNING! To reduce the risk of electric shock, always unplug the charger before performing any cleaning or maintenance. Do not allow water to flow into the charger. Use a Ground Fault Circuit Interrupter (GFCI) to reduce shock hazards.

- **Do not burn or incinerate battery packs** – Battery packs may explode, causing personal injury or damage. Toxic fumes and materials are created when battery packs are burned.
- **Do not crush, drop or damage battery packs** – Do not use the battery pack or charger if they have sustained a sharp blow, been dropped, run over or have been damaged in any way (i.e. pierced with a nail, hit with a hammer, stepped on, etc.).
- **Do not disassemble** – Incorrect reassembly may pose a serious risk of electric shock, fire or exposure to toxic battery chemicals. If the battery or charger are damaged, contact an authorized Snow Joe® + Sun Joe® dealer or call the Snow Joe® + Sun Joe® customer service center at 1-866-SNOWJOE (1-866-766-9563) for assistance.
- **Battery chemicals cause serious burns** – Never let a damaged battery pack contact the skin, eyes or mouth. If a damaged battery pack leaks battery chemicals, use rubber or neoprene gloves to safely dispose of it. If skin is exposed to battery fluids, wash the affected area with soap and water and rinse with vinegar. If eyes are exposed to battery chemicals, immediately flush with water for 20 minutes and seek medical attention. Remove and dispose of contaminated clothing.
- **Do not short circuit** – A battery pack will short circuit if a metal object makes a connection between the positive and negative contacts on the battery pack. Do not place a battery pack near anything that may cause a short circuit, such as paperclips, coins, keys, screws, nails and other metallic objects. A short-circuited battery pack poses a risk of fire and severe personal injury.
- **Store your battery pack and charger in a cool, dry place** – Do not store the battery pack or charger where temperatures may exceed 105°F (40.5°C), such as in direct sunlight or inside a vehicle or metal building during the summer.

Information about the battery

1. The battery pack supplied with your cordless power tool is only partially charged. The battery pack has to be charged completely before you use the tool for the first time.
2. For optimum battery performance, avoid low discharge cycles by charging the battery pack frequently.
3. Store the battery pack in a cool place, ideally at 59°F (15°C) and charged to at least 40%.

4. Lithium-ion batteries are subject to a natural aging process. The battery pack must be replaced at the latest when its capacity falls to just 80% of its capacity when new. Weakened cells in an aged battery pack are no longer capable of meeting the high power requirements needed for the proper operation of your cordless spray washer, and therefore pose a safety risk.
5. Do not throw battery packs into an open fire as this poses a risk of explosion.
6. Do not ignite the battery pack or expose it to fire.
7. Do not exhaustively discharge batteries. Exhaustive discharge will damage the battery cells. The most common cause of exhaustive discharge is lengthy storage or non-use of partially discharged batteries. Stop working as soon as the performance of the battery falls noticeably or the electronic protection system triggers. Place the battery pack in storage only after it has been fully charged.
8. Protect batteries and the tool from overloads. Overloads will quickly result in overheating and cell damage inside the battery housing even if this overheating is not apparent externally.
9. Avoid damage and shocks. Immediately replace batteries that have been dropped from a height of more than 3 feet (1 meter) or those that have been exposed to violent shocks, even if the housing of the battery pack appears to be undamaged. The battery cells inside the battery may have suffered serious damage. In such instances, please read the waste disposal information for proper battery disposal.
10. If the battery pack suffers overloading and overheating, the integrated protective cutoff will switch off the equipment for safety reasons.
IMPORTANT! Do not press the ON/OFF switch any more if the protective cut-off has been activated. This may damage the battery pack.
11. Use only original battery packs. The use of other batteries poses a fire risk and may result in injuries or an explosion.

Information about the charger and the charging process

1. Please check the data marked on the rating plate of the battery charger. Be sure to connect the battery charger to a power supply with the voltage marked on the rating plate. Never connect it to a different mains voltage.
2. Protect the battery charger and its cord from damage. Keep the charger and its cord away from heat, oil and sharp edges. Have damaged cords repaired without delay by a qualified technician at an authorized Snow Joe® + Sun Joe® dealer or call the Snow Joe® + Sun Joe® customer service center at 1-866-SNOWJOE (1-866-766-9563).
3. Electrical plugs must match the outlet. Never modify the plug in any way. Do not use any adapter plugs with grounded appliances. Unmodified plugs and matching outlets will reduce the risk of electric shock.

4. Keep the battery charger, battery pack(s) and the cordless tool out of the reach of children.
 5. Do not use the supplied battery charger to charge other cordless tools.
 6. During periods of heavy use, the battery pack will become warm. Allow the battery pack to cool to room temperature before inserting it into the charger to recharge.
 7. Do not overcharge batteries. Do not exceed the maximum charging times. These charging times only apply to discharged batteries. Frequent insertion of a charged or partially charged battery pack will result in overcharging and cell damage. Do not leave batteries in the charger for days on end.
 8. Never use or charge batteries if you suspect that it has been more than 12 months since the last time they were charged. There is a high probability that the battery pack has already suffered dangerous damage (exhaustive discharge).
 9. Charging batteries at a temperature below 41°F (5°C) will cause chemical damage to the cells and may cause a fire.
 10. Do not use batteries that have been exposed to heat during the charging process, as the battery cells may have suffered dangerous damage.
 11. Do not use batteries that have suffered curvature or deformation during the charging process or those that exhibit other atypical symptoms (gassing, hissing, cracking, etc.).
 12. Never fully discharge the battery pack (maximum recommended depth of discharge is 80%). A complete discharge of the battery pack will lead to premature aging of the battery cells.
7. Store the charger and your cordless tool only in dry locations with an ambient temperature of 40-105°F (4.5-40.5°C). Store your lithium-ion battery pack in a cool, dry place at a temperature of 50-68°F (10-20°C). Protect the battery pack, charger and cordless tool from humidity and direct sunlight. Only place fully charged batteries in storage (charged to at least 40%).
 8. Prevent the lithium-ion battery pack from freezing. Battery packs that were stored below 32°F (0°C) for more than 60 minutes must be discarded.
 9. When handling batteries, be wary of electrostatic charge. Electrostatic discharges can damage the electronic protection system and the battery cells. Avoid electrostatic charging and never touch the battery poles.

IMPORTANT!

Safety Instructions for Walk-Behind Mowers

General Operation

- Read, understand and follow all instructions on the machine and in the manual(s) before starting.
- Do not put hands or feet near or under the machine. Always stay clear of the discharge opening.
- Only responsible adults who are familiar with the instructions should be allowed to operate this machine.
- Clear the mowing area of foreign objects such as rocks, wire, toys and other miscellaneous articles, which could be picked up and thrown by the blade. Stay behind the handle when the engine (motor) is running.
- Make sure that the mowing area is clear of bystanders before starting the machine. Stop the machine if anyone enters the area.
- Do not operate the machine barefooted or while wearing sandals. Always wear substantial footwear.
- Always look down and behind before and while moving backward with the mower.
- Never direct discharged material toward anyone. Avoid discharging material against a wall or other obstruction.
- Do not operate the machine without the entire grass catcher, discharge guard, rear guard or other safety protective devices in place and in proper working order.
- Never leave a running machine unattended.
- Stop the engine (motor) and wait until the blade comes to a complete stop before cleaning the machine, removing the grass catcher or unclogging the discharge guard.
- Operate the machine only in daylight or in good artificial light.

Protection from environmental influences

1. Wear suitable work clothes. Wear safety goggles.
2. Protect your cordless tool and the battery charger from moisture and rain. Moisture and rain can cause dangerous cell damage.
3. Do not use the cordless tool or the battery charger near vapors and flammable liquids.
4. Use the battery charger and cordless tools only in dry conditions and at an ambient temperature of 41 – 105°F (5 – 40.5°C).
5. Do not keep the battery charger in places where the temperature is liable to reach over 104°F (40°C). In particular, do not leave the battery charger in a car that is parked in the sunshine.
6. Protect batteries from overheating. Overloads, overcharging and exposure to direct sunlight will result in overheating and cell damage. Never charge or work with batteries that have been overheated – replace them immediately, if possible.

- Do not operate the machine when you are tired or under the influence of alcohol or drugs.
- Never operate the mower in wet grass. Always be sure of your footing; walk, never run, with the mower.
- If the machine should start to vibrate abnormally, stop the engine (motor) and immediately check the machine to ascertain the cause. Vibration is generally a signal of trouble.
- Keep blades sharp.
- Keep hands and feet away from the cutting area.
- Always wear eye protection when operating the machine.
- Objects struck by the lawn mower blade can cause severe injuries. The mowing area should always be carefully examined and cleared of all objects prior to each mowing.
- If you strike a foreign object, stop and inspect the machine. Repair, if necessary, before restarting.
- Never make any adjustments or repairs with the engine (motor) running. Always plug out the safety key before adjusting, cleaning or repairing.
- Check the grass bag components and the discharge guard frequently and replace with manufacturer's recommended parts when necessary.
- Mower blades are sharp. Wrap the blade or wear gloves, and use extra caution when servicing them.
- Maintain or replace safety and instruction labels, as necessary.
- If your power tool requires service, contact an authorized Snow Joe® + Sun Joe® dealer or call the Snow Joe® + Sun Joe® customer service center at 1-866-SNOWJOE (1-866-766-9563). Only identical replacement parts should be utilized for repairs. This will ensure that the safety of the power tool is maintained.
- If the battery charger cable is damaged, it must be immediately replaced to avoid a hazard. Contact the Snow Joe® + Sun Joe® customer service center at 1-866-SNOWJOE (1-866-766-9563) for assistance.

Slope Operation

Slopes are major factors related to slip and fall accidents, which can result in severe injury. Operation on all slopes requires extra caution. If you feel uneasy on a slope, do not mow it.

- Mow across the face of slopes; never mow slopes following an up and down traverse. Exercise extreme caution when changing direction on a slope.
- Watch for holes, ruts, bumps, rocks or other hidden objects. These may cause an unexpected slip or fall.
- Do not mow on wet grass or excessively steep slopes. Poor footing could cause a slip and fall accident.
- Do not mow near drop offs, ditches or embankments. You could lose your footing or balance.

Children

Tragic accidents can occur if the operator is not alert to the presence of children. Children are often attracted to the machine and the mowing activity. Never assume that children will remain where you last saw them.



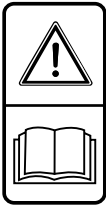









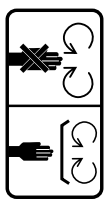

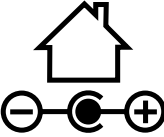
- Keep children out of the mowing area and under the watchful care of a responsible adult other than the operator.
- Stay alert and turn the mower off if a child enters the area.
- Never let children operate the machine.
- Use extra care when approaching blind corners, shrubs, trees or other objects that may block your view of a child.

Service

- Stop the machine and disconnect the safety key before servicing, cleaning, or removing grass from the lawn mower.
- Keep all nuts and bolts tight.
- Never tamper with safety devices. Regularly check to ensure these devices are in place and in proper working order.
- Keep the mower free from grass, leaves or other debris buildup.

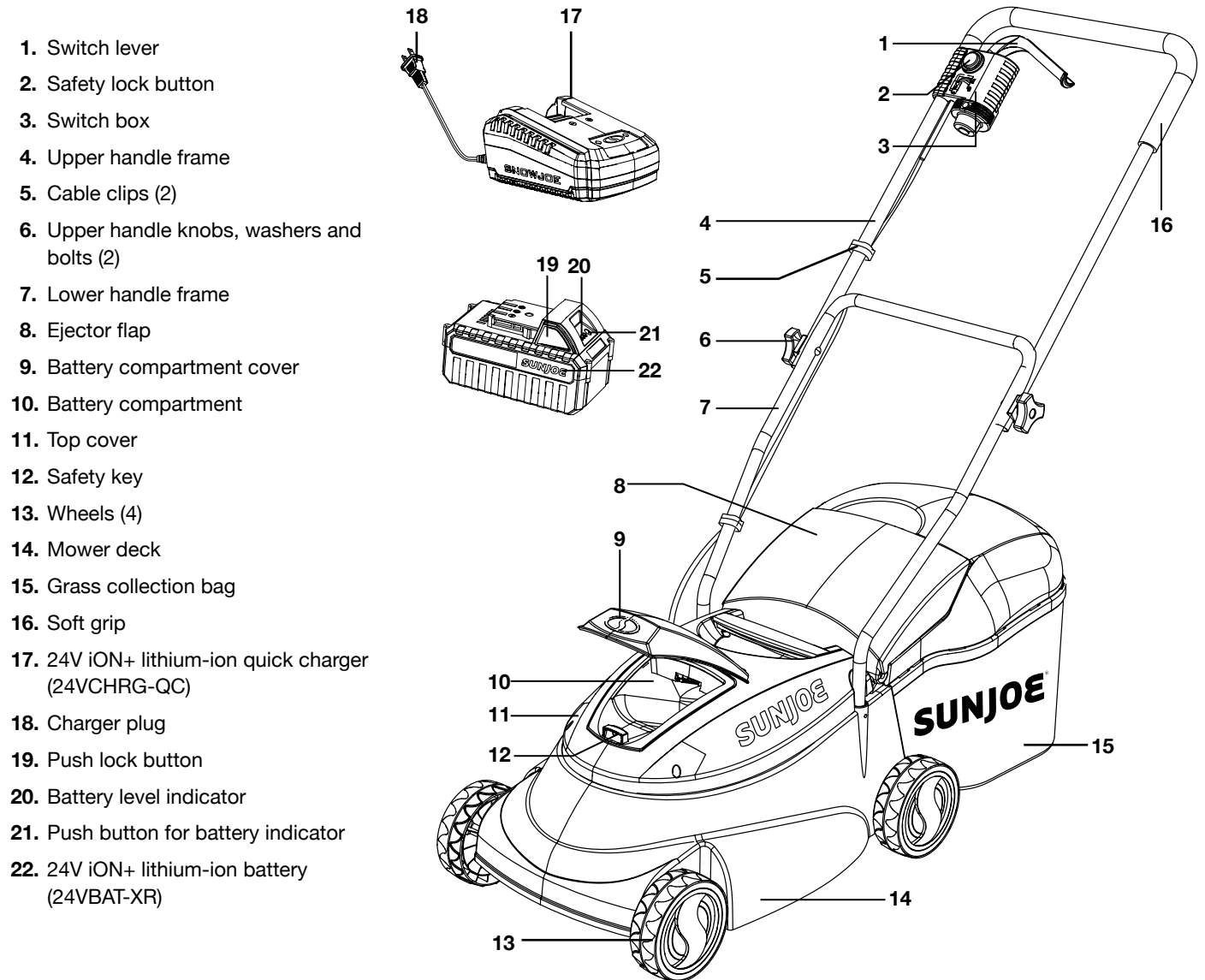
Safety Symbols

The following table depicts and describes safety symbols that may appear on this product. Read, understand and follow all instructions on the machine before attempting to assemble and operate.

Symbols	Descriptions	Symbols	Descriptions
	DANGER! Rotating blades. Keep hands and feet away.		Keep bystanders and children a safe distance away.
	Safety Alert. Caution. To reduce the risk of injury, user must read instruction manual.		Wear eye and hearing protection. For protection against injury, wear ear defenders and safety goggles.
	WARNING! Do not expose or operate the unit in rain or wet conditions. Keep dry.		Wear protective gloves and non-slip footwear when using the machine and handling debris.
	Slip on slope hazard – Use extra caution when mowing on slopes to prevent slip and fall accidents.		Severing of toes or fingers by rotary mower blade.
	Thrown objects and rotating blade can cause severe injury.		Keep bystanders a safe distance away from the work area.
	Blades continue to rotate after machine is switched off.		WARNING! Always turn the machine OFF and remove the safety key before conducting inspection, cleaning and maintenance.
	Rotating blades, keep hands and feet away from the opening while the machine is running.		Look behind when backing up with the lawn mower.
	Indoor use only. Only use battery charger indoors.		

Know Your Cordless Lawn Mower

Read the owner's manual and safety instructions carefully before operating the mower. Compare the illustration below to the mower in order to become familiar with the location of the various controls and adjustments. Save this manual for future reference.



1. Switch lever
2. Safety lock button
3. Switch box
4. Upper handle frame
5. Cable clips (2)
6. Upper handle knobs, washers and bolts (2)
7. Lower handle frame
8. Ejector flap
9. Battery compartment cover
10. Battery compartment
11. Top cover
12. Safety key
13. Wheels (4)
14. Mower deck
15. Grass collection bag
16. Soft grip
17. 24V iON+ lithium-ion quick charger (24VCHRG-QC)
18. Charger plug
19. Push lock button
20. Battery level indicator
21. Push button for battery indicator
22. 24V iON+ lithium-ion battery (24VBAT-XR)

Technical Data

Motor	600W Brushless	No Load Speed	3000 rpm
Battery Voltage Max*	24V D.C.	Cutting Width	14 in. (35.6 cm)
Battery Capacity	5.0 Ah	Cutting Height	1.18 in. to 2.52 in. (30 mm to 64 mm)
Charger Input	120V AC 60 Hz 75 W	Grass Bag Capacity	10.6 gal (40 l)
Charger Output	26 DC 2.2 A	Wheel Size	5.5 in. (14 cm)
Charge Time Max	2 hours 20 mins	Net Weight	23.7 lbs (10.8 kg)

*Initial no-load voltage, when fully charged, peaks at 24 volts; nominal voltage under typical load is 21.6 volts.

Unpacking

Carton Contents

- Cordless lawn mower
 - Grass collection bag
 - Grass collection bag support rod
 - Upper handle frame
 - Upper handle knob, washer and bolt (2)
 - Lower handle frame
 - Lower handle screws (2)
 - Spanner
 - Cable clips (2)
 - 24V iON+ lithium-ion battery
 - 24V iON+ lithium-ion quick charger
 - Manual with registration card
1. Carefully remove the lawn mower and check to see that all of the above items are supplied.
 2. Inspect the product carefully to make sure no breakage or damage occurred during shipping.

NOTE: Do not discard the shipping carton and packaging material until you are ready to use your new cordless lawn mower. The packaging is made of recyclable materials. Properly dispose of these materials in accordance with local regulations.

IMPORTANT! The equipment and packaging material are not toys. Do not let children play with plastic bags, foils, or small parts. These items can be swallowed and pose a suffocation risk!





Battery Pack Operation

The equipment is powered by a lithium-ion battery. The battery pack is completely sealed and maintenance free.

Battery Charge Level Indicator

The battery pack is equipped with a push button for checking the charge level. Simply press the push button to read off the battery charge level from the LEDs of the battery indicator:

- All 3 level monitoring LEDs are lit: Battery charge level is high.
- 2 level monitoring LEDs are lit: Battery charge level is decreasing. Stop work as soon as possible.
- 1 level monitoring LED is lit: Battery is flat. Stop work IMMEDIATELY and charge the battery. Otherwise the battery's service life will be greatly shortened.

Lights	Light Indicators
	Charge level button
	The battery is at 30% capacity and requires charging
	The battery is at 60% capacity and requires charging soon
	The battery is at full capacity

NOTE: If the charge level button does not appear to be working, insert the charger and charge as needed.

NOTE: Immediately after using the battery pack, the charge level button may display a lower charge than it will if checked a few minutes later. The battery cells "recover" some of their charge after resting.

Charger Operation

⚠ WARNING! Charge only 24V iON+ lithium-ion battery packs with its compatible 24V iON+ lithium-ion battery charger. Other types of batteries may cause personal injury and damage. To reduce the risk of electric shock, do not allow water to flow into the charger's AC/DC plug.

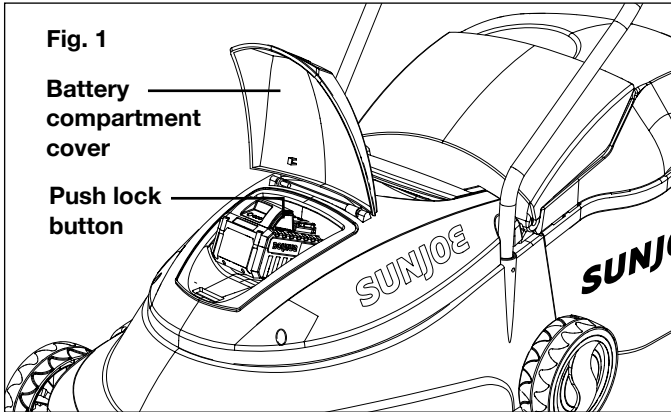
When to Charge the iON+ 24VBAT-XR Lithium-iON Battery

NOTE: The iON+ 24VBAT-XR lithium-iON battery pack do not develop a "memory" when charged after only a partial discharge. Therefore, it is not necessary to run down the battery pack before inserting the charger plug.

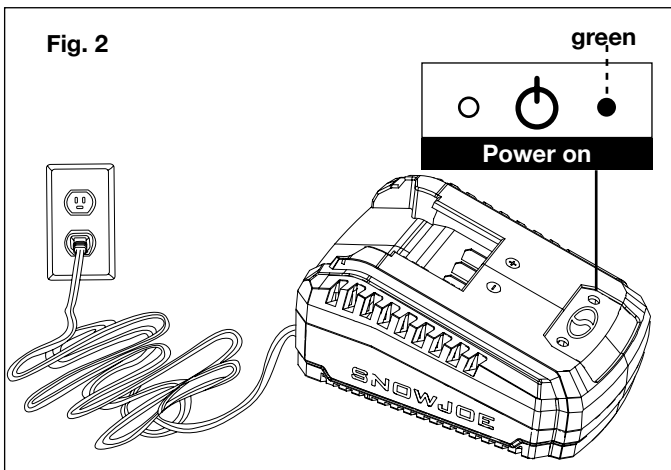
- Use the battery indicator lights to determine when to charge your iON+ 24VBAT-XR lithium-iON battery pack.
- You can "top-off" your battery pack's charge before starting a big job or after a long day of use.

Charging the Battery

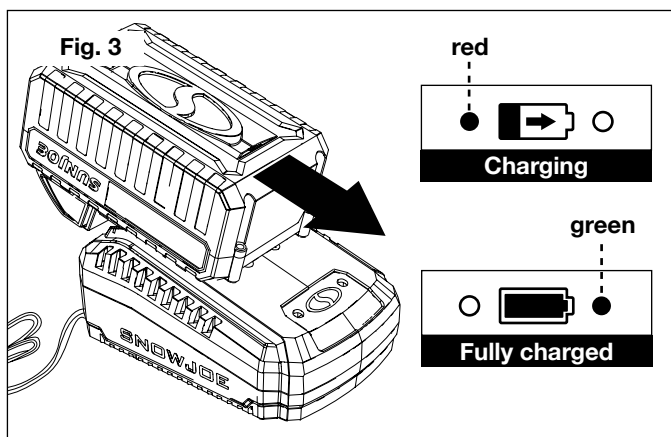
1. Open the battery compartment cover, and push the push lock button on the battery to pull the battery out from the battery compartment (Fig. 1).



2. Check that the mains voltage is the same as that marked on the rating plate of the quick charger. Then, plug the charger adapter into an appropriate AC power outlet (Fig. 2).



3. Place the battery pack into the charger by sliding the pack as shown to lock it into position. When you insert the battery into the charger, the bottom red light on the charger will illuminate to indicate that the battery is charging (Fig. 3).
4. The battery indicator LEDs will twinkle and illuminate one by one during the charging process. When the 3 LEDs are all illuminated green and the green LED on the charger is on, the battery is fully charged. Unplug the charger immediately (Fig. 3).



5. The battery will take approximately 2.5 hours to charge. The charge indicator LED will become green when the battery is fully charged, unplug the charger immediately when the green light is on.

⚠ CAUTION! FIRE HAZARD. When disconnecting the charger from the battery, be sure to unplug the charger from the outlet first, then disconnect the charger from the battery

⚠ WARNING! This charger does not automatically turn off when the battery is fully charged. Please take care not to leave the battery plugged into the charger. Switch off or unplug the charger at the mains when charging is complete.

4. Timely recharging of the battery will help prolong the battery's life. You must recharge the battery pack when you notice a drop in the equipment's power.

IMPORTANT! Never allow the battery pack to become fully discharged as this will cause irreversible damage to the battery.

Assembly

⚠ WARNING! Do not insert the safety key until assembly is complete. Failure to comply could result in accidental starting and serious personal injury.

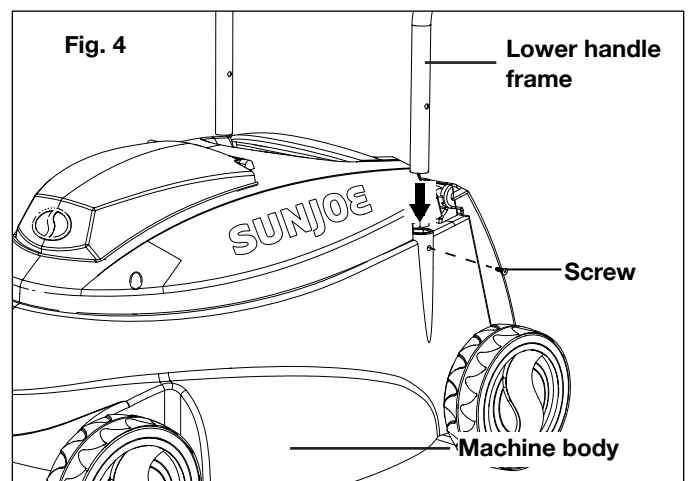
⚠ WARNING! Before performing any maintenance, make sure the key is removed from the unit. Failure to heed this warning could result in serious personal injury.

⚠ WARNING! The product must be fully assembled before operation. Do not use a product that is only partially assembled or assembled with damaged parts.

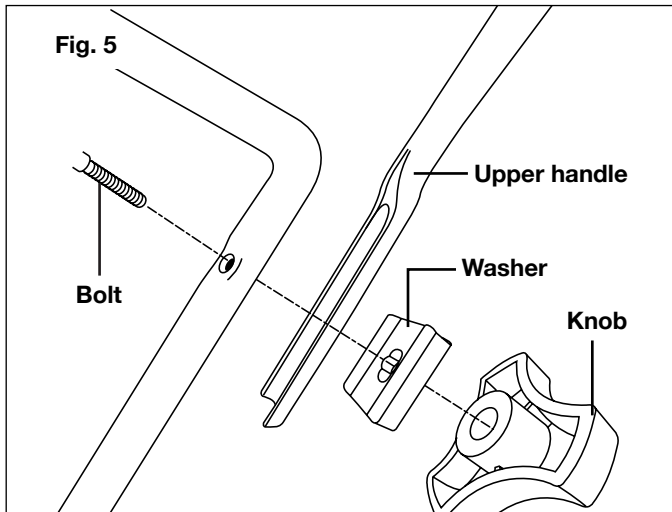
NOTE: Before using the mower, follow these instructions to assemble the handle and grass bag.

Handle Assembly

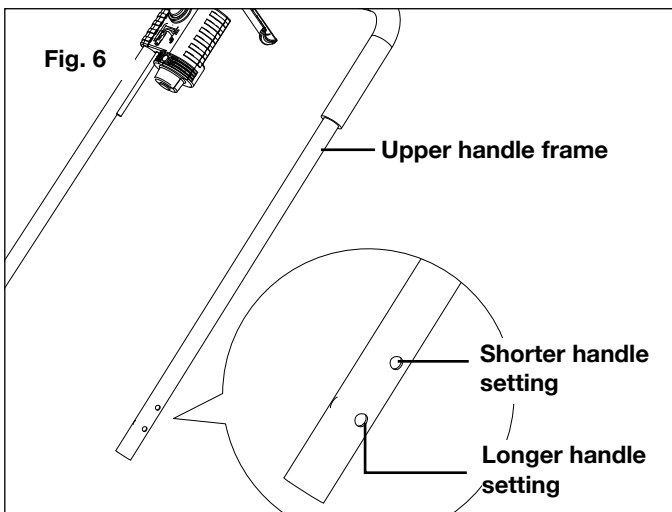
1. Fit the lower handle frame into the two holes in the machine body and fasten the handle on both sides with the screws provided (Fig. 4).



2. Join the upper handle frame to the lower handle frame using the knob, washer and bolt provided (Fig. 5). Repeat on the opposite side.



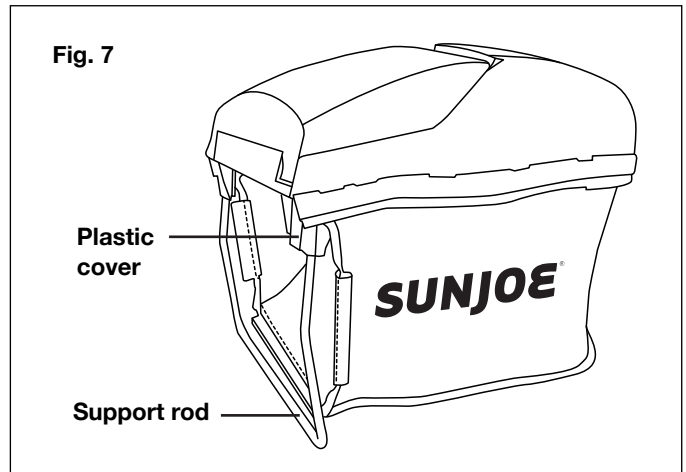
NOTE: The upper handle is equipped with two sets of holes on each side of the frame, however, only one set is necessary to secure to the lower handle (Fig. 6). Simply select your preferred height, and secure as shown (Fig. 5).



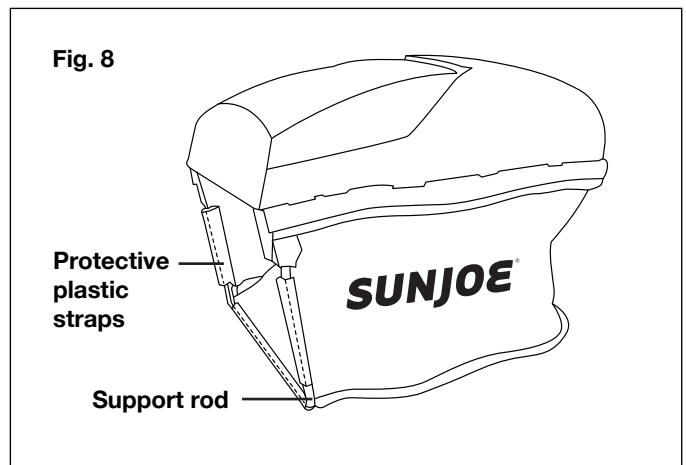
3. Secure the power cable to the lawn mower by using the cable clips.

Grass Collection Bag Assembly + Fitting

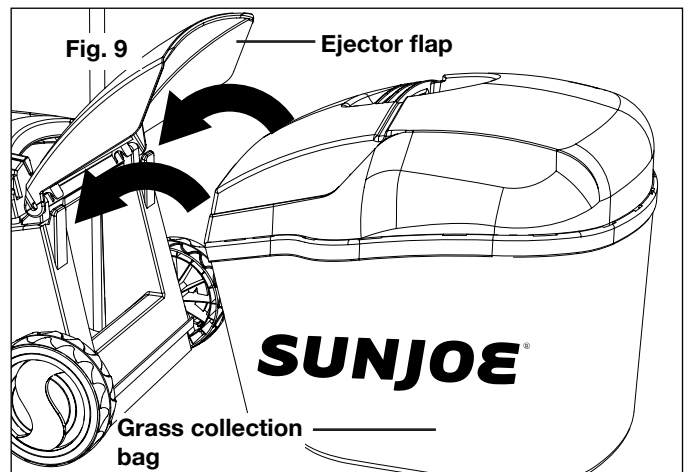
1. Fit the support rod into the holes in the plastic cover. The bend of the support rod should face the rear of the machine (Fig. 7).



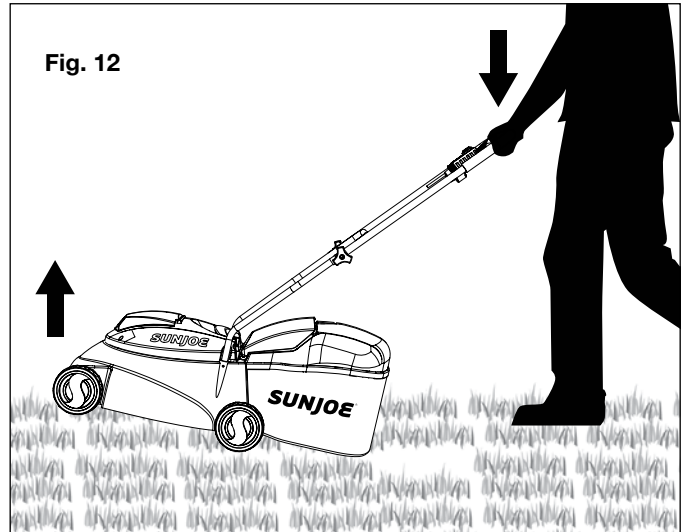
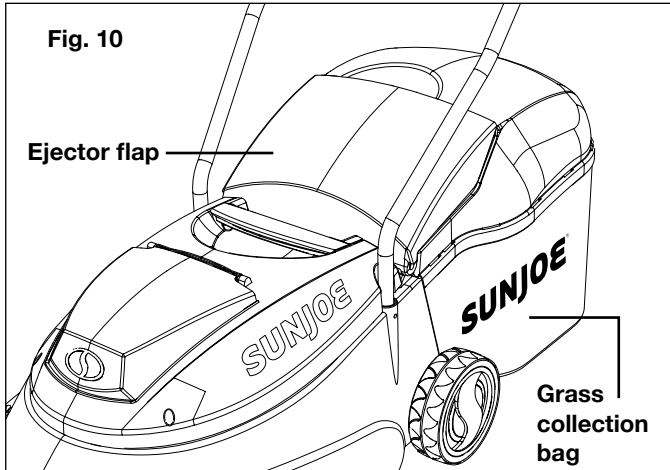
2. Place the protective plastic straps onto the support rod (Fig. 8).



3. Lift the ejector flap with one hand. With the other hand, hold the grass collection bag by the handle and hook it in from above (Fig. 9).



4. Release the ejector flap to secure the grass collection bag in position (Fig. 10).



Operation

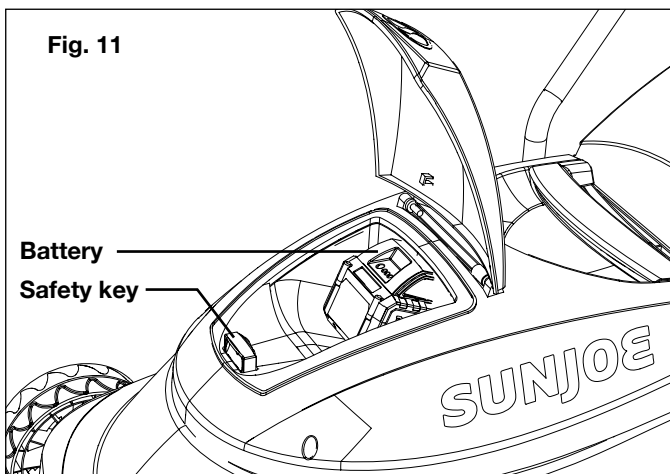
This lawn mower is intended for private residential use to cut grass in small lawns and gardens. This lawn mower is not intended to cut grass in public parks, playing fields, farms or forests. Do not use this lawn mower for any application other than that for which it is intended.

Starting + Stopping

⚠️ WARNING! Before switching on the mower, make sure that it is not in contact with any foreign objects. Keep your hands and feet a safe distance away from the rotating mower blade and the ejector opening. Failure to comply with these warnings can result in severe personal injury.

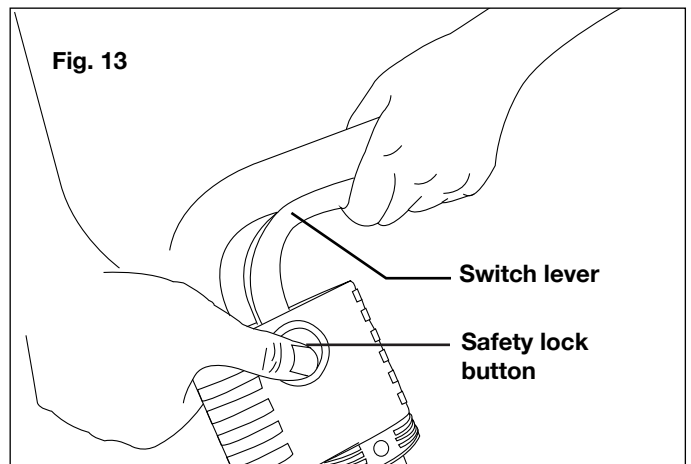
IMPORTANT: Do not start the mower in tall grass.

1. Before starting the unit, make sure the battery and the safety key are inserted in their slots properly (Fig. 11).

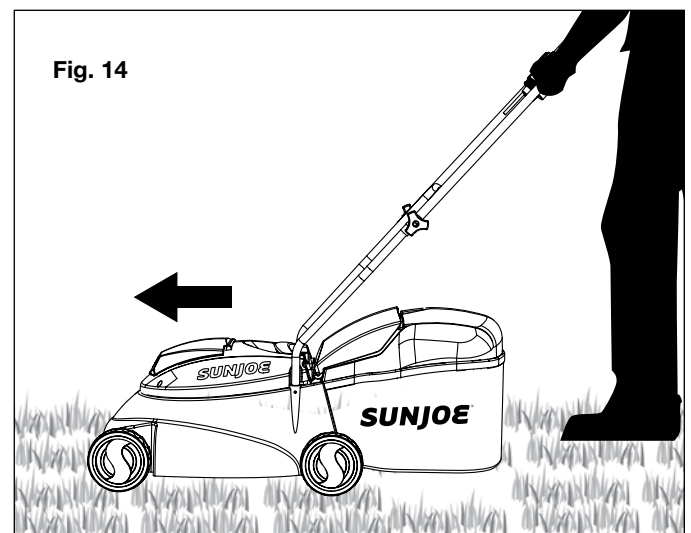


2. Before starting the lawn mower, hold the handle assembly with both hands and tilt the handle downward to slightly raise the front of the lawn mower. This will reduce the risk of lawn damage during start-up (Fig. 12).

3. To start the cordless lawn mower, press and hold the safety lock button while pulling the switch lever toward you (Fig. 13).



4. Once the machine powers on, release the safety lock button and proceed with operation, gently lowering the mower down into the cutting position (Fig. 14).



5. To stop the mower, release the switch lever.

⚠WARNING! The mower blade will continue to rotate for a brief period after the unit has been switched off. Do not tilt or carry the unit while the motor is still running and do not touch the blade while it is still rotating. Failure to comply could result in severe personal injury.

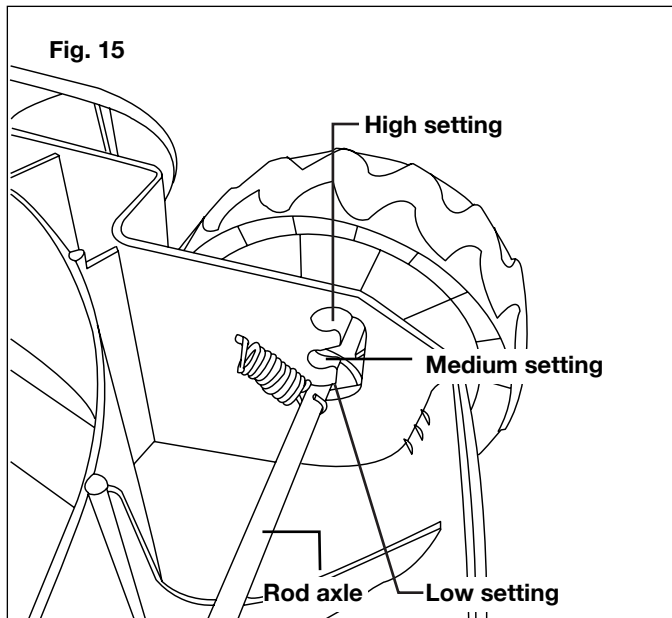
Adjusting the Cutting Height

Follow these instructions to adjust the cutting height of the lawn mower.

⚠WARNING! Before making these adjustments, disconnect the power supply to the mower by plugging out the safety key from the slot, and wait until the rotating blade has come to a complete standstill. Wearing gloves is recommended due to the close proximity of the cutting blade.

ALWAYS FOLLOW ALL SAFETY PRECAUTIONS AND RECOMMENDATIONS LISTED PREVIOUSLY IN THIS MANUAL.

1. Power off and remove the safety key from the slot.
2. Remove and empty the grass collection bag.
3. Place the lawn mower on its side.



4. The wheel axles can be placed into 3 different cutting heights: low (will cut grass the shortest), medium, and high (Fig. 15).

3-Position Height Adjustment:

1. Low: 1.18 in. (30 mm)
2. Medium: 1.93 in. (49 mm)
3. High: 2.52 in. (64 mm)

The cutting height tolerance is +/- 5 mm (+/- 0.2 in.).

5. Move all four wheels to the desired cutting height by pulling back on the rod axle and setting it to the desired position. Make sure all four wheels are at the same cutting height position.

NOTE: Set the mower to the highest cutting height when mowing on uneven ground or in tall weeds.

6. Place the lawn mower back on to its wheels and reattach the grass collection bag.
7. Insert the safety key into the slot and resume normal use.

Mowing Tips

⚠WARNING! Inspect the area prior to mowing and remove all the stones, sticks, wires and other foreign objects that could be picked up and thrown by the rotating blade. Failure to comply not only will damage the mower blade, but can also lead to serious personal injury.

- Be sure to check the mowing blade periodically for signs of wear and sharpen it at least once per year, as described in the maintenance section.

NOTE: A sharp blade will greatly enhance the performance of the mower, especially when cutting tall blades of grass.

- When cutting thick grass, reduce your walking speed in order to allow for a more effective cut and a proper discharge of the clippings. For a healthy lawn, always cut off one-third or less from the total length of the grass. The average lawn should be approximately 1.5 to 2 in. (3.8 to 5 cm) long during cool months, and more than 2 in. (5 cm) long during hot months. If there is growth, the lawn should be cut in the fall.
- The lawn will look better if it is always cut to the same height and in alternate directions.
- When crossing any gravelled surfaces, release the switch bar lever to turn off the mower. The stones can be picked up and thrown by the rotating blade.
- Set the mower to the highest cutting height when mowing on uneven ground or in tall weeds.

⚠WARNING! If you strike a foreign object, stop the motor and remove the safety key. Thoroughly inspect the mower and repair any damage before resuming work.

- **IMPORTANT!** Never open the ejector flap when the grass collection bag has been detached (to be emptied) and the motor is still running. A rotating blade can cause serious injuries!
- Always carefully fasten the ejector flap and grass collection bag. Switch off the motor before emptying the grass collection bag. Always ensure that a safe distance (provided by the length of the long handles) is maintained between the user and the mower housing. Be especially careful when mowing and changing direction on slopes and inclines.

- Maintain a solid footing and wear sturdy, non-slip footwear and long trousers. Always mow across an incline (not up and down).
- For safety reasons, the lawn mower may not be used to mow inclines with gradients exceeding 15 degrees.
- Use special caution when backing up and pulling the lawn mower towards you as such maneuvering of the machine poses a tripping hazard.

Maintenance + Care

⚠️ WARNING! Before cleaning, repairing or inspecting the mower, disconnect the power supply by plugging out the safety key and verify that all moving parts have come to a complete stop.

General

- Always keep the mower clean and free of grass, dirt or other debris.
- Keep the handles dry, clean and free of oil and grease.
- After each cutting session, remove accumulated grass clippings and debris using either a dry cloth or handbrush. You may also clean the equipment with a damp cloth and some soft, non-abrasive soap. Do not use cleaning agents or harsh solvents as they may damage the equipment's plastic components. Make sure that no water penetrates the equipment's interior as intake of water can destroy the switch/plug mechanism and the electric motor.
- Do not clean the lawn mower with running water, particularly with high-pressure water.
- Check all nuts, bolts and screws for proper tightness before each use.
- Frequently inspect the grass collection bag assembly for signs of wear and replace immediately with a genuine part if damage is found.
- Replace excessively worn or damaged parts immediately.
- To maximize your mower's longevity, all screwed parts, including the wheels and axles, should be cleaned and lubricated. There are no parts inside the equipment which require additional maintenance or lubrication.

Blade Maintenance

IMPORTANT: The mower blade is sharp and can cause severe personal injury if handled incorrectly. Wrap the blade or wear protective gloves, and use extra caution when handling.

The steel blade is designed to provide a fine cut in long or tough grass. Deterioration in the quality of cut indicates blade wear or damage. Follow these steps to determine if the blade needs to be resharpened or replaced:

1. Disconnect the power supply to the mower by removing the safety key.
2. Turn the mower on its side to expose the underside of the blade housing.

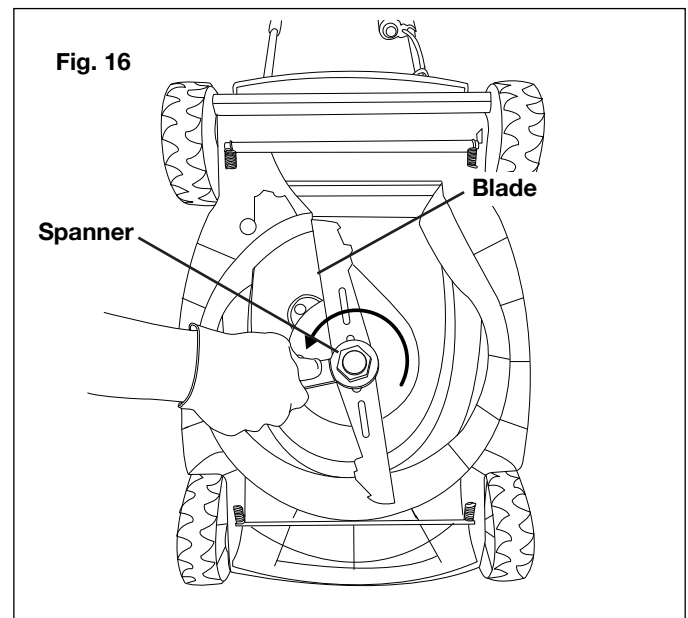
3. Check the blade.
 - a. If the blade is blunt or has minor wear, then resharpen.
 - b. If the blade shows signs of major wear or damage (i.e. gouged, bent), replace.

⚠️ WARNING! An excessively vibrating mower indicates that the blade is not properly balanced or has become deformed from striking an object. In this case, the blade must be repaired or replaced. Please follow the proper maintenance procedures for blade care.

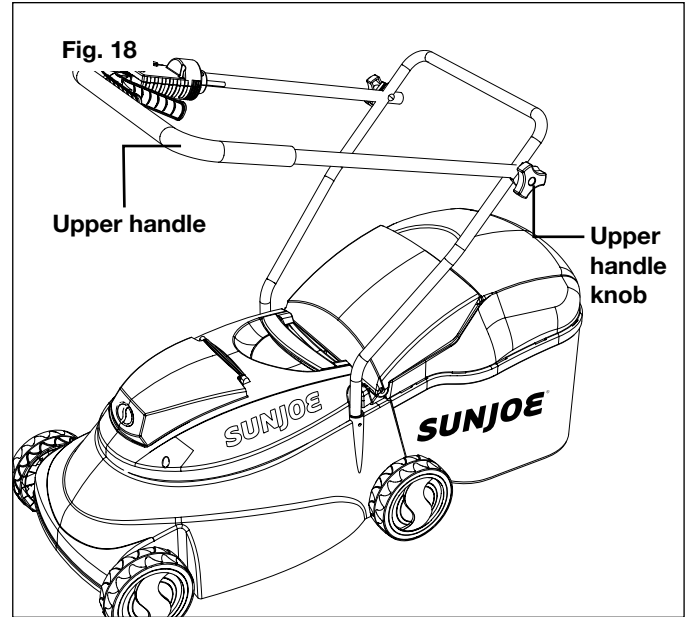
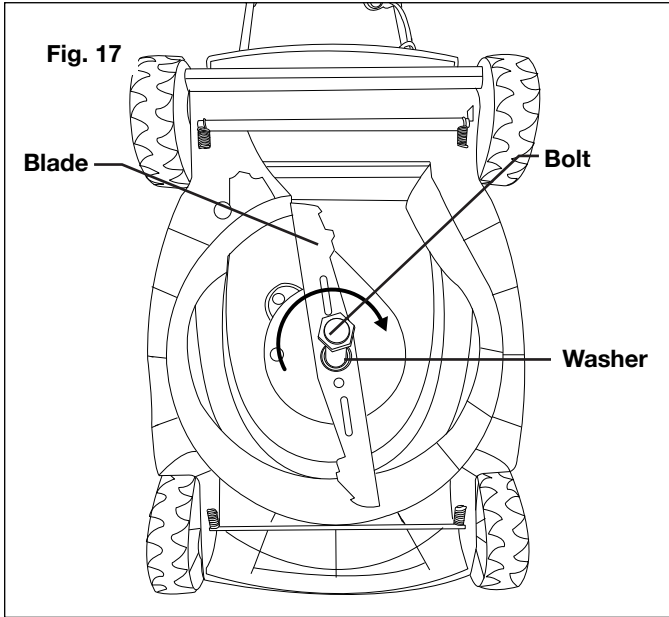
Blade Replacement

IMPORTANT: Only use original replacement parts specified for this mower. The use of parts that do not meet the original equipment specifications may lead to improper performance of the lawn mower, may compromise operator safety.

1. Disconnect the safety key to the mower.
2. Turn the mower on its side to expose the underside of the blade housing.
3. Use a cloth to grip the blade or wear heavy-duty gloves.
4. Using the spanner provided, remove the bolt and the washer securing the blade by turning the bolt counterclockwise, then carefully remove the blade (Fig. 16).



5. Fit the new blade, the washer and the bolt back on following the same steps in reverse order (Fig. 17).



Storage

Follow the steps below to prepare the lawn mower for storage:

1. Remove the safety key from the slot.
2. Clean the mower with a damp cloth or hand brush.
3. Inspect the mower carefully for worn, loose or damaged parts. Check connections and screws and tighten if necessary. Pay special attention to the mower blade and replace/sharpen if it shows signs of wear. Refer to the Maintenance and Care section.
4. Store the mower indoors in a dry, clean and cool area out of the reach of children. Do not store the unit next to corrosive materials, such as fertilizer and rock salt.
5. Do not cover the lawn mower with a solid plastic sheet. Plastic coverings trap moisture around the mower, which can damage the unit.
6. The handle on your lawn mower can be folded for compact storage. Start by loosening the handle knobs on each side of the upper handle and fold down the upper handle (Fig. 18).

Disposal

Recycling + Disposal

The product comes in a package that protects it against damage during shipping. Keep the package until you are sure that all parts have been delivered and the product is functioning properly. Recycle the package afterwards or keep it for long-term storage.



WEEE symbol. Waste electrical products should not be disposed of with household waste. Please recycle where facilities exist. Check with your local authority or local store for recycling regulations.

Battery Caution + Disposal

Always dispose of your battery pack according to federal, state, and local regulations. Contact a recycling agency in your area for recycling locations.

⚠ CAUTION! Even discharged battery packs contain some energy. Before disposing, use electrical tape to cover the terminals to prevent the battery pack from shorting, which could cause a fire or explosion.

⚠ WARNING! To reduce the risk of injury or explosion, never burn or incinerate a battery pack even if it is damaged, dead or completely discharged. When burned, toxic fumes and materials are emitted into the surrounding atmosphere.

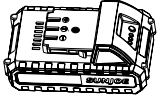
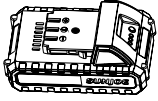


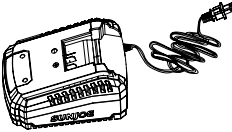
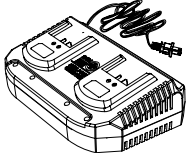
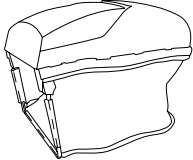

Troubleshooting

- Remove the safety key before carrying out maintenance on the machine or when checking that its parts are in proper working order.
- To avoid unnecessary hassles, consult the following table before contacting a qualified repair person with any mechanical issues.

Fault	Possible Cause	Remedy
Mower fails to start	<ul style="list-style-type: none"> a) The safety key is not inserted b) The motor/blade control is disengaged c) The battery is flat d) The mower deck is clogged with grass or debris e) The grass is too tall 	<ul style="list-style-type: none"> a) Insert the safety key b) Press safety lock button first ,then the switch lever. c) Charge the battery d) Clean the mower deck. Make sure the blade is free to move e) Set the mower to a high cutting height. Lift the front wheels slightly by pressing down on the handle bar.
Mower stops while mowing	<ul style="list-style-type: none"> a) The battery is flat b) The grass is too tall c) The mower deck is clogged with grass or debris d) The machine is overload and switched off by the overload protection system 	<ul style="list-style-type: none"> a) Charge the battery b) Reset the cutting height c) Clean the mower deck. Make sure the blade is free to move d) Cool down the machine for 5 mins. Wait for the overload protection to reset the machine
The mower cannot cut grass evenly	<ul style="list-style-type: none"> a) The lawn is rough or uneven b) The blade is not sharp enough 	<ul style="list-style-type: none"> a) Adjust cutting height b) Sharpen or replace the blade
The mower cannot mulch properly	<ul style="list-style-type: none"> a) The mower deck is clogged with grass or debris b) The grass is too wet c) The grass is too tall d) The blade is not sharp enough 	<ul style="list-style-type: none"> a) Clean the mower deck. Make sure the blade is free to move b) Wait until the grass is dry c) Adjust the cutting height to the high position to mow for the first time, and mow again at the desired height setting d) Sharpen or replace the blade
The mower is difficult to push	<ul style="list-style-type: none"> a) The grass is too tall to cut b) The blade or the mower rear is dragged by heavy grass 	<ul style="list-style-type: none"> a) Adjust cutting height higher
The mower is vibrating at high speed	<ul style="list-style-type: none"> a) The motor shaft is bent b) The blade is unbalanced c) The blade screw is loosen 	<ul style="list-style-type: none"> a) Stop the motor, remove the safety key, and inspect the damage. Contact with a qualified repair person. b) Balance the blade by grinding each cutting edge equally or replace a new one c) Tighten the blade bolt

Optional Accessories

⚠️ WARNING! ALWAYS use only authorized Snow Joe® + Sun Joe® replacement parts and accessories. NEVER use replacement parts or accessories that are not intended for use with this tool. Contact Snow Joe® + Sun Joe® if you are unsure whether it is safe to use a particular replacement part or accessory with your tool. The use of any other attachment or accessory can be dangerous and could cause injury or mechanical damage.

Accessories	Item	Model
	24V iON+ 2.0 Ah Lithium-iON Battery	24VBAT-LTE
	24V iON+ 2.5 Ah Lithium-Ion Battery	24VBAT-LT
	24V iON+ 4.0 Ah Lithium-Ion Battery	24VBAT
	24V iON+ 5.0 Ah Lithium-Ion Battery	24VBAT-XR
	24V iON+ Lithium-Ion Battery Quick Charger	24VCHRG-QC
	24V iON+ Lithium-Ion Battery Dual Port Charger	24VCHRG-DPC
	10.6-gallon (40 l) grass collection bag	MJ401E-10
	Lawn mower side-discharge chute accessory	MJ401E-DCA

NOTE: Accessories are subject to change without any obligation on the part of Snow Joe® + Sun Joe® to provide notice of such changes. Accessories can be ordered online at sunjoe.com or via phone by contacting the Snow Joe® + Sun Joe® customer service center at 1-866-SNOWJOE (1-866-766-9563).



SNOW JOE® + SUN JOE® REFURBISHED GOODS WARRANTY

GENERAL CONDITIONS:

Snow Joe® + Sun Joe® operating under Snow Joe®, LLC warrants this refurbished product to the original purchaser for 90 days against defects in material or workmanship when used for normal residential purposes. If a replacement part or product is needed, it will be sent free of charge to the original purchaser except as noted below.

The duration of this warranty applies only if the product is put to personal use around the household. It is the owner's responsibility to correctly perform all maintenance and minor adjustments explained in the owner's manual.

HOW TO OBTAIN YOUR REPLACEMENT PART OR PRODUCT:

To obtain a replacement part or product, please visit snowjoe.com/help or email us at help@snowjoe.com for instructions. Please be sure to register your unit beforehand to speed up this process. Certain products may require a serial number, typically found on the decal affixed to the housing or guard of your product. All products require a valid proof of purchase.

EXCLUSIONS:

- Wearing parts like belts, augers, chains and tines are not covered under this warranty. Wearing parts can be purchased at snowjoe.com or by calling 1-866-SNOWJOE (1-866-766-9563).
- Batteries are covered in full for 90-days from the date of purchase.

Snow Joe® + Sun Joe® may from time to time change the design of its products. Nothing contained in this warranty shall be construed as obligating Snow Joe® + Sun Joe® to incorporate such design changes into previously manufactured products, nor shall such changes be construed as an admission that previous designs were defective.

This warranty is intended to cover product defects only. Snow Joe®, LLC is not liable for indirect, incidental or consequential damages in connection with the use or misuse of the Snow Joe® + Sun Joe® products covered by this warranty. This warranty does not cover any cost or expense incurred by the purchaser in providing substitute equipment or service during reasonable periods of malfunction or non-use of this product while waiting for a replacement part or unit under this warranty. Some states do not allow exclusions of incidental or consequential damages so the above exclusions may not apply in all states. This warranty may give you specific legal rights in your state.

HOW TO REACH US:

We're here to help Monday through Friday from 9AM to 7PM EST and Saturday and Sunday 9AM to 4PM. You can reach us at 1-866-SNOWJOE (1 866-766-9563), online at snowjoe.com, via email at help@snowjoe.com or tweet us @snowjoe.

EXPORTS:

Customers who have purchased Snow Joe® + Sun Joe® products exported from the United States and Canada should contact their Snow Joe® + Sun Joe® distributor (dealer) to obtain information applicable to your country, province or state. If for any reason, you are not satisfied with the distributor's service, or if you have difficulty obtaining warranty information, contact your Snow Joe® + Sun Joe® seller. If in the event your efforts are unsatisfactory, please reach out to us directly.



sunjoe.com